

SHENZHEN Wayeah LCD Module								162p05	
Option	LCD TYPE				BackLight TYPE			Controller	
	STNYG	STNGR	STNBL	FSTN	LED	EL	CCFL	ST7066U	
	✓				✓				

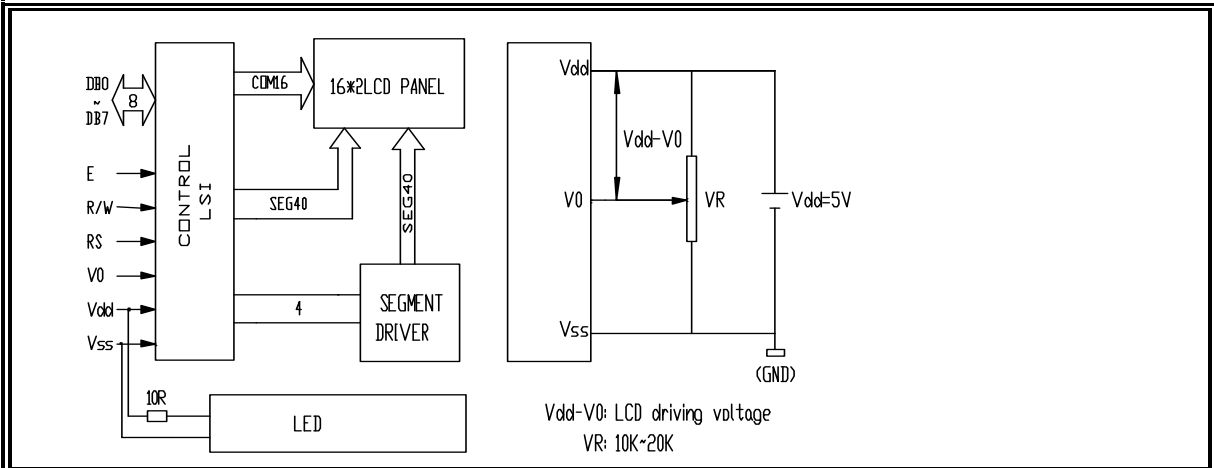
Mechanical data			Absolute Maximum Rating					
ITEM	W x H x D	Unit	ITEM	Symb	Min.	Type	Max.	Unit
Module Size	85.0x36.0x13.2	mm	Supply Voltage	VDD	3.0	5.0	5.5	V
View-area	64.5 x 13.8	mm	LCD drive voltage	V0	-3.0	4.8	0	V
Respective	5 x 8	dots	Input voltage	Vi	0	0.7VDD	VDD	V
Dot Size	0.55 x 0.50	mm	Operate temp.	Top	-20	25	+70	°C
Font Size	2.95 x 4.35	mm	Storage temp.	Tsg	-30	25	+80	°C

EXTERNAL DIMENSIONS AND DISPLAY PATTERN

TYPE	#1	#2
R&EL	5.0	10.0
LED	9.2	13.2

Interface

1	2	3	4	5	6	7	8	9	10	11	12	13	14
VSS	VDD	V0	RS	R/W	E	DB0	DB1	DB2	DB3	DB4	DB5	DB6	DB7



INTERFACE

NO.	NAME	NO.	NAME	NO.	NAME
1	VSS	7	DB0	13	DB6
2	VDD	8	DB1	14	DB7
3	V0	9	DB2		
4	RS	10	DB3		
5	R/W	11	DB4		
6	E	12	DB5		