

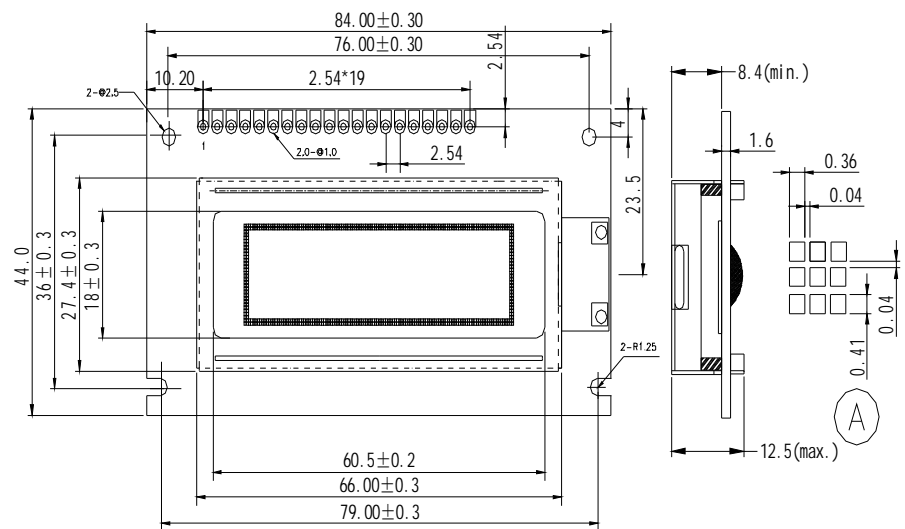
# SHENZHEN Wayeah LCD Module

# KM12232B1

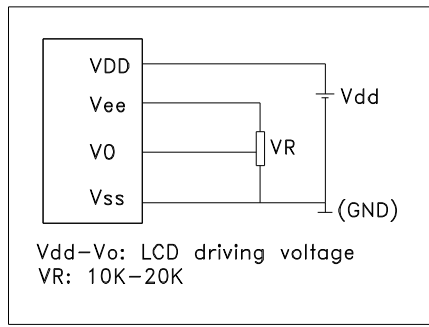
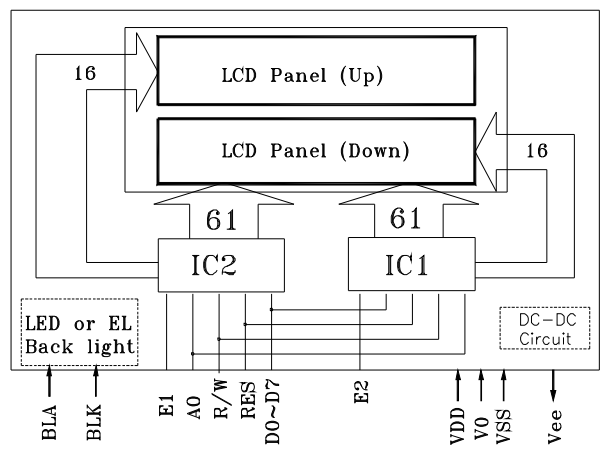
Option	LCD TYPE				BackLight TYPE			Controller	
	TN	HTN	STN	FSTN	LED	EL	CCFL	sbn1661	
			✓		✓				

Mechanical data			Absolute Maximum Rating					
ITEM	W x H x D	Unit	ITEM	Symb.	Min.	Type	Max.	Unit
Module Size	84.0x44.0x12.5	mm	Supply Voltage	VDD	3.0	5.0	5.5	V
View-area	60.5 x 18.0	mm	LCD drive voltage	VO	-3.0	4.8	0	V
Respective	122 x 32	dots	Input voltage	Vi	0	0.7VDD	VDD	V
Dot Size	0.36 x 0.41	mm	Operate temp.	Top	-20	25	+70	°C
Dot Pitch	0.40 x 0.45	mm	Storage temp.	Tsq	-30	25	+80	°C

## EXTERNAL DIMENSIONS AND DISPLAY PATTERN



1	2	3	4	5	6	7	8	9	10	11	12	13	14	15	16	17	18	19	20
VSS	VDD	VO	VEE	A0	E1	E2	DB0	DB1	RET	R/W	DB2	DB3	DB4	DB5	DB6	DB7	NC	BLA	BLK



## INTERFACE

NO.	NAME	NO.	NAME	NO.	NAME	NO.	NAME
1	VSS	7	E2	13	DB3	19	BLA
2	VDD	8	DB0	14	DB4	20	BLK
3	VO	9	DB1	15	DB5		
4	VEE	10	/RET	16	DB6		
5	A0	11	R/W	17	DB7		
6	E1	12	DB2	18	NC		