

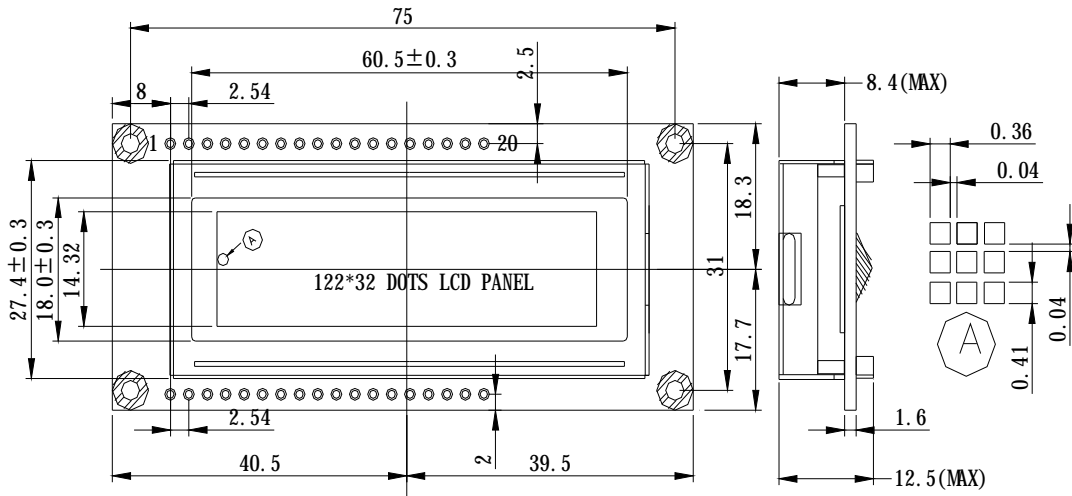
# SHENZHEN Wayeah LCD Module

# KM12232K

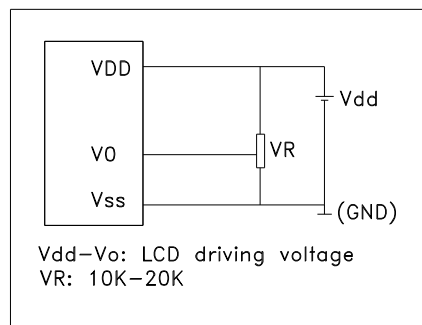
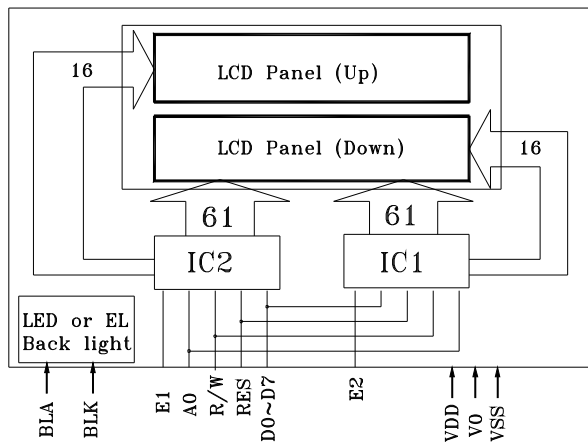
Option	LCD TYPE				BackLight TYPE			Controller	
	TN	HTN	STN	FSTN	LED	EL	CCFL	SBN1661G	
			✓		✓	✓			

Mechanical data			Absolute Maximum Rating					
ITEM	W x H x D	Unit	ITEM	Symb.	Min.	Type	Max.	Unit
Module Size	80.0x36.0x12.5	mm	Supply Voltage	VDD	3.0	5.0	5.5	V
View-area	60.5 x 18.0	mm	LCD drive voltage	VO	-3.0	4.8	0	V
Respective	122 x 32	dots	Input voltage	Vi	0	0.7VDD	VDD	V
Dot Size	0.36 x 0.41	mm	Operate temp.	Top	-20	25	+70	°C
Dot Pitch	0.40 x 0.45	mm	Storage temp.	Tsq	-30	25	+80	°C

## EXTERNAL DIMENSIONS AND DISPLAY PATTERN



- 1 2 3 4 5 6 7 8 9 10 11 12 13 14 15 16 17 18 19 20  
VSS VDD VO AO R/W NC NC E1 E2 DB0 DB1 DB2 DB3 DB4 DB5 DB6 DB7 RET K A



## INTERFACE

NO.	NAME	NO.	NAME	NO.	NAME	NO.	NAME
1	VSS	7	NC	13	DB3	19	BLK
2	VDD	8	E1	14	DB4	20	BLA
3	VO	9	E2	15	DB5		
4	AO	10	DB0	16	DB6		
5	R/W	11	DB1	17	DB7		
6	NC	12	DB2	18	RET		