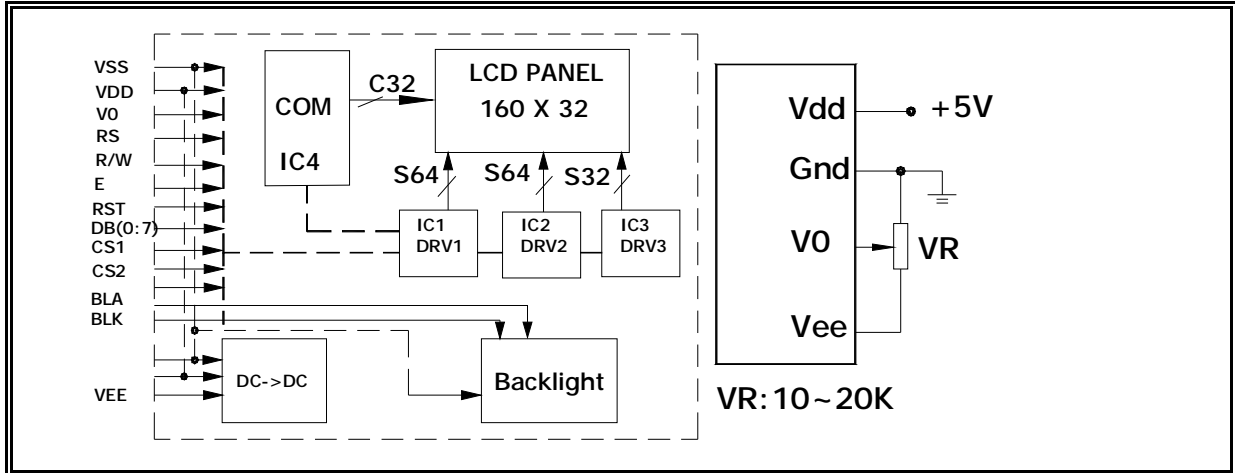


SHENZHEN WAYEAH LCD MODULE								KM16032A	
Option	LCD TYPE				BackLight TYPE			Controller	
	TN	HTN	STN	FSTN	LED	EL	CCFL	S6B0108B	
			✓		✓				

Mechanical data			Absolute Maximum Rating					
ITEM	W x H x D	Unit	ITEM	Symb.	Min.	Type	Max.	Unit
Module Size	116.0x35.0x13.0	mm	Supply Voltage	VDD	3.0	5.0	5.5	V
View-area	83.0 x 18.6	mm	LCD drive voltage	VO	-	-	13V	V
Respective	160 x 32	dots	Input voltage	Vi	0	0.7VDD	VDD	V
Dot Size	0.44 x 0.44	mm	Operate temp.	Top	-20	25	+70	°C
Dot Pitch	0.48 x 0.48	mm	Storage temp.	Tsq	-30	25	+80	°C

**EXTERNAL DIMENSIONS AND DISPLAY PATTERN**

1	2	3	4	5	6	7	8	9	10	11	12	13	14	15	16	17	18	19	20	21	22
VSS	VDD	VO	RS	R/W	E	RST	DB0	DB1	DB2	DB3	DB4	DB5	DB6	DB7	CS1	CS2	NC	NC	VEE	BLA	BLK



**INTERFACE**

NO.	NAME	NO.	NAME	NO.	NAME	NO.	NAME
1	VSS	7	RST	13	DB5	19	NC
2	VDD	8	DB0	14	DB6	20	VEE
3	VO	9	DB1	15	DB7	21	BLA
4	RS	10	DB2	16	CS1	22	BLK
5	R/W	11	DB3	17	CS2		
6	E	12	DB4	18	NC		