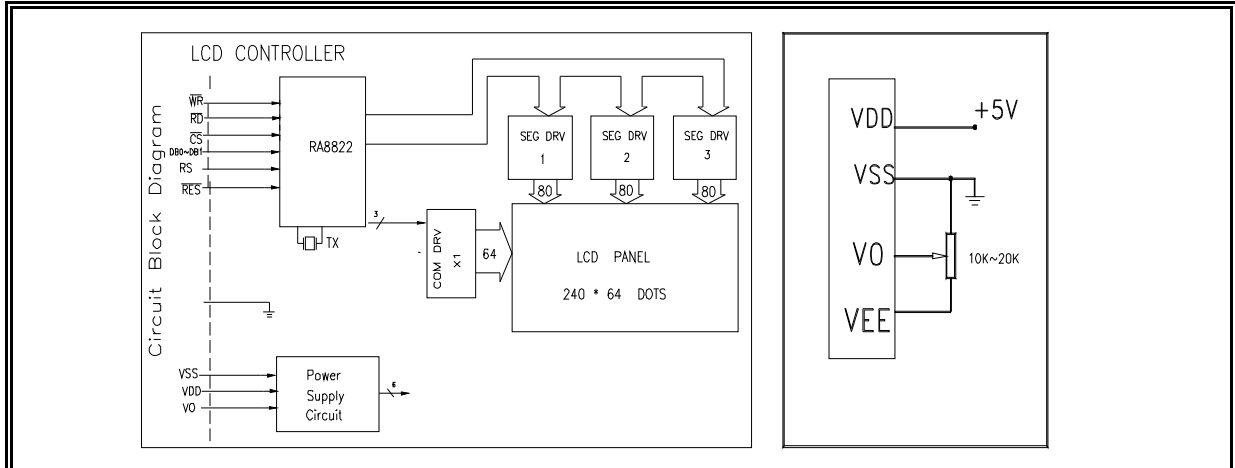
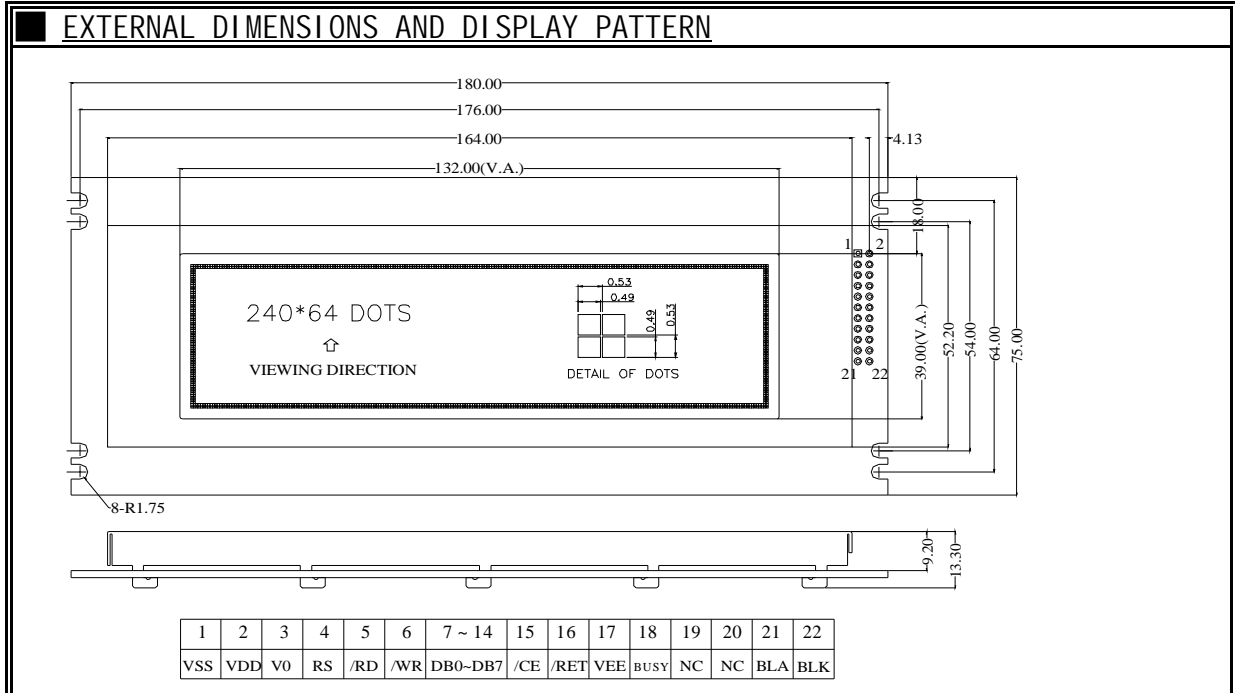


SHENZHEN Wayeah LCD Module

KM24064B-GB

Option	LCD TYPE				BackLight TYPE			Controller	
	STN	STN	STN	FSTN	LED	EL	CCFL	RA8822	
	Blue	Y/G	Gray		√				

Mechanical data			Absolute Maximum Rating					
ITEM	W x H x D	Unit	ITEM	Symb.	Min.	Type	Max.	Unit
Module Size	180.0x75.0x13.3	mm	Supply Voltage	VDD	4.5	5.0	5.5	V
View-area	132.0 x 39.0	mm	LCD drive voltage	VO	-	-	15V	V
Respective	240 x 64	dots	Input voltage	Vi	0	0.7VDD	VDD	V
Dot Size	0.49 x 0.49	mm	Operate temp.	Top	-20	25	+70	°C
Dot Pitch	0.53 x 0.53	mm	Storage temp.	Tsq	-30	25	+80	°C



INTERFACE

NO.	NAME	NO.	NAME	NO.	NAME	NO.	NAME
1	VSS	7	DB0	13	DB6	19	NC
2	VDD	8	DB1	14	DB7	20	NC
3	VO	9	DB2	15	/CS	21	BLA
4	RS	10	DB3	16	/RET	22	BLK
5	/RD	11	DB4	17	VEE		
6	/WR	12	DB5	18	BUSY		