

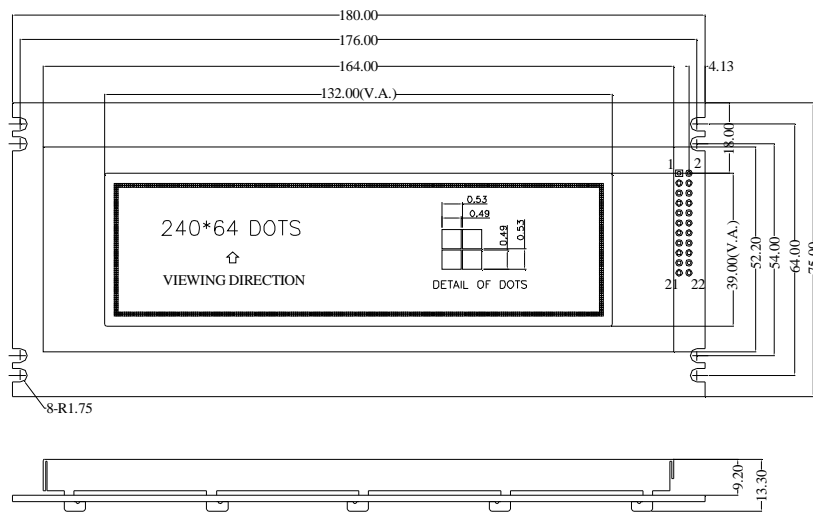
SHENZHEN Wayeah LCD Module

KM24064B

Option	LCD TYPE				BackLight TYPE			Controller	Touch panel
	TN	HTN	STN	FSTN	LED	EL	CCFL	SAP1024	x
			✓		✓				

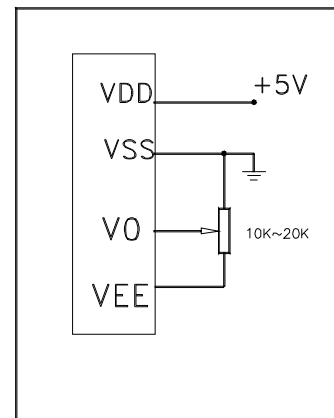
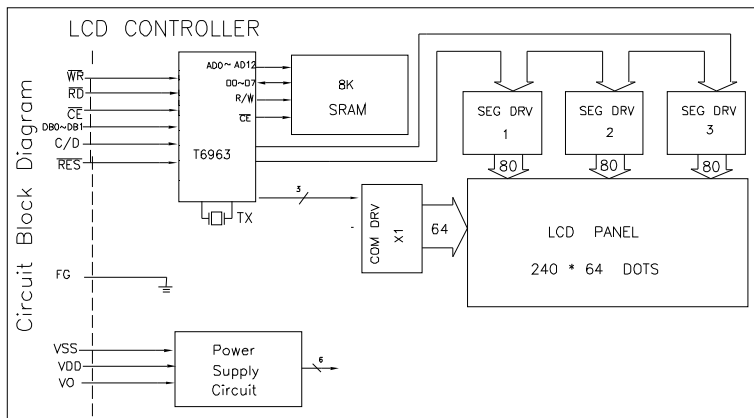
Mechanical data			Absolute Maximum Rating					
ITEM	W x H x D	Unit	ITEM	Symb.	Min.	Type	Max.	Unit
Module Size	180.0x75.0x13.3	mm	Supply Voltage	VDD	4.5	5.0	5.5	V
View-area	132.0 x 39.0	mm	LCD drive voltage	VO	-	-	15V	V
Respective	240 x 64	dots	Input voltage	Vi	0	0.7VDD	VDD	V
Dot Size	0.49 x 0.49	mm	Operate temp.	Top	-20	25	+70	°C
Dot Pitch	0.53 x 0.53	mm	Storage temp.	Tsq	-30	25	+80	°C

EXTERNAL DIMENSIONS AND DISPLAY PATTERN



For T6963C

1	2	3	4	5	6	7	8	9	10	11	12	13	14	15	16	17	18	19	20	21	22
VSS	VDD	VO	C/D	/RD	/WR	DB0	DB1	DB2	DB3	DB4	DB5	DB6	DB7	/CE	/RET	VEE	FS	MD2	NC	BLA	BLK



INTERFACE

NO.	NAME	NO.	NAME	NO.	NAME	NO.	NAME
1	VSS	7	DB0	13	DB6	19	MD2
2	VDD	8	DB1	14	DB7	20	NC
3	VO	9	DB2	15	/CE	21	BLA
4	C/D	10	DB3	16	/RET	22	BLK
5	/RD	11	DB4	17	VEE		
6	/WR	12	DB5	18	FS		