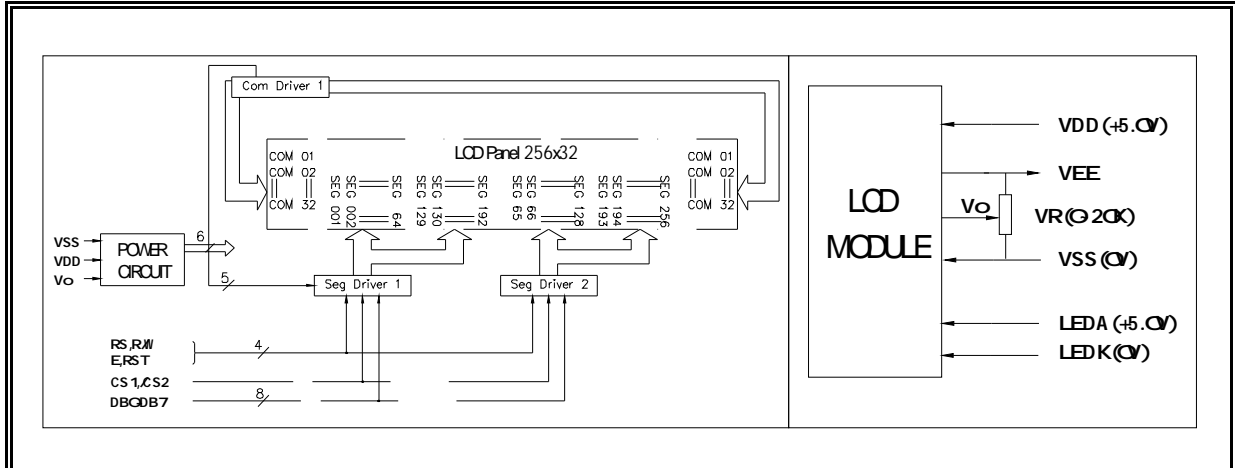
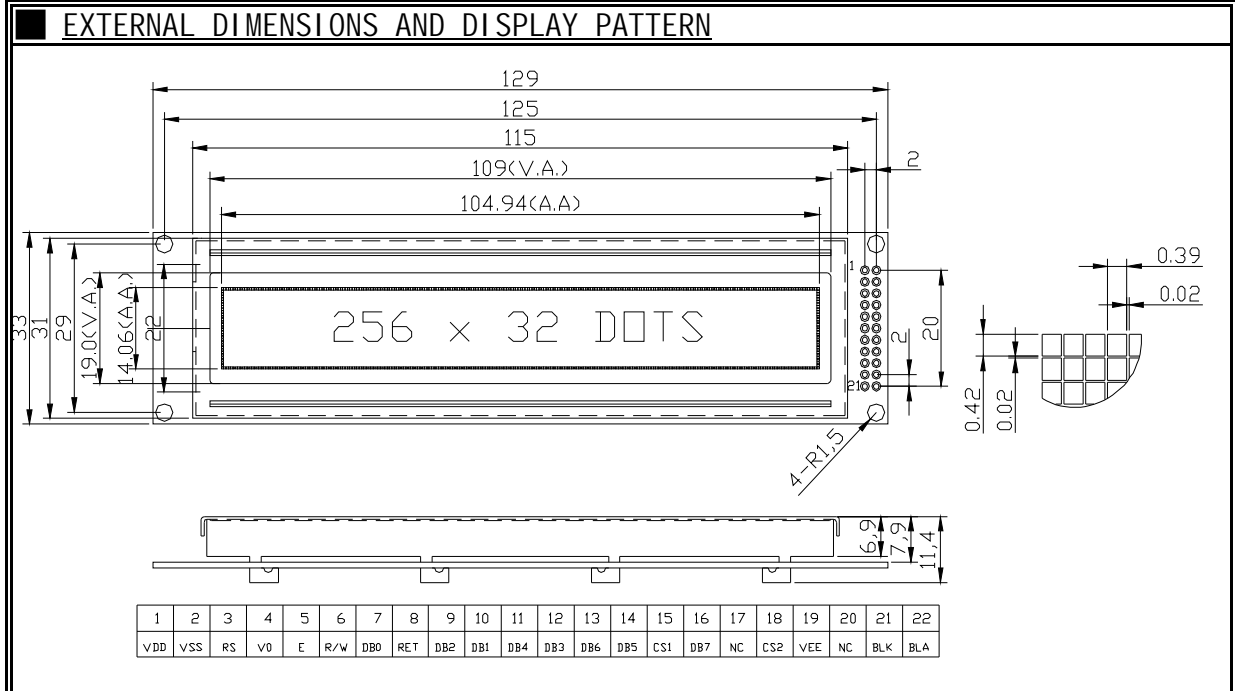


SHENZHEN Wayeah LCD Module

KM25632A1-02

Option	LCD TYPE				BackLight TYPE			Controller	
	TN	HTN	STN	FSTN	LED	EL	CCFL	S6B0108B	
			✓		✓	✓			

Mechanical data			Absolute Maximum Rating					
ITEM	W x H x D	Unit	ITEM	Symb.	Min.	Type	Max.	Unit
Module Size	129.0x33.0x11.4	mm	Supply Voltage	VDD	3.0	5.0	5.5	V
View-area	109.0 x 19.0	mm	LCD drive voltage	VO	-	-	15V	V
Respective	256 x 32	dots	Input voltage	Vi	0	0.7VDD	VDD	V
Dot Size	0.39 x 0.42	mm	Operate temp.	Top	-20	25	+70	°C
Dot Pitch	0.41 x 0.44	mm	Storage temp.	Tsq	-30	25	+80	°C



INTERFACE

NO.	NAME	NO.	NAME	NO.	NAME	NO.	NAME
1	VDD	7	DB0	13	DB6	19	VEE
2	VSS	8	RET	14	DB5	20	NC
3	RS	9	DB2	15	CS1	21	BLK
4	VO	10	DB1	16	DB7	22	BLA
5	E	11	DB4	17	NC		
6	R/W	12	DB3	18	CS2		